

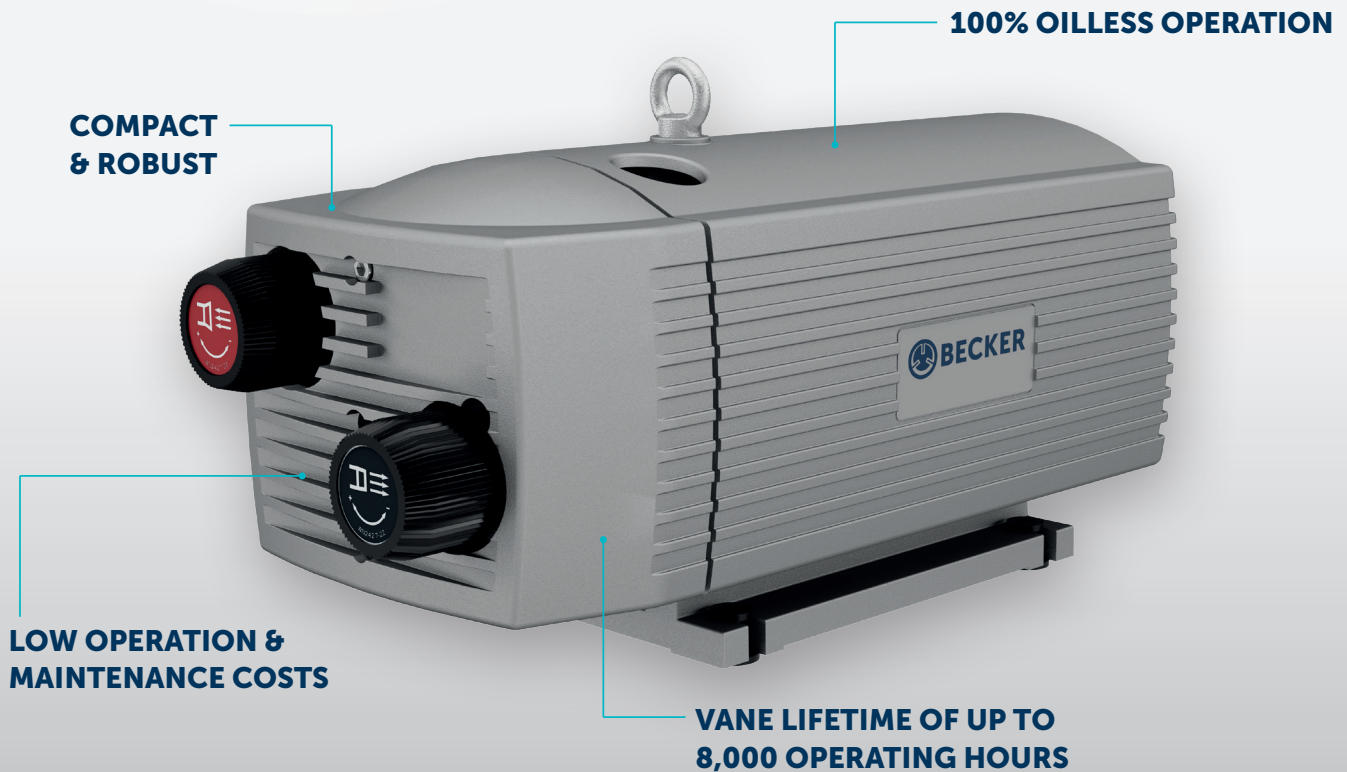
DATA SHEET

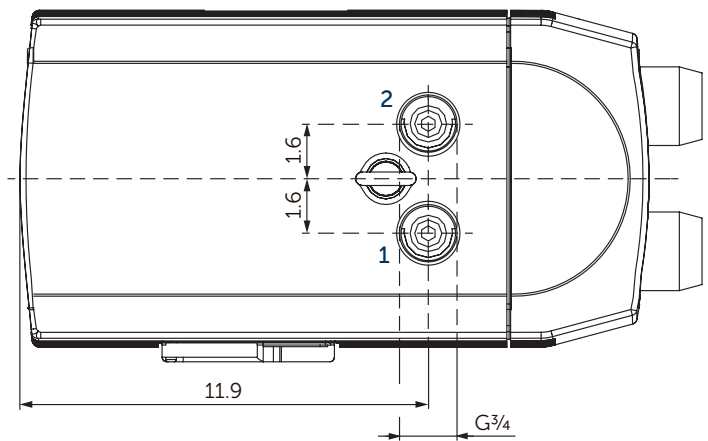
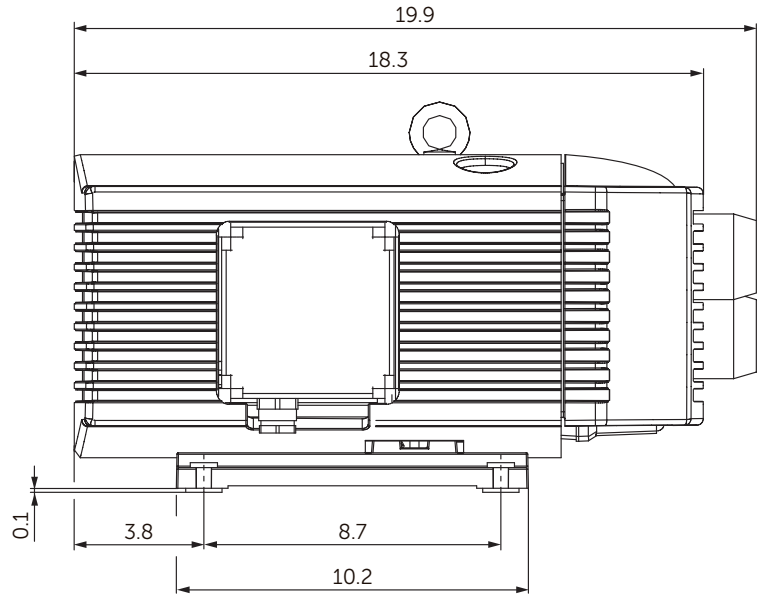
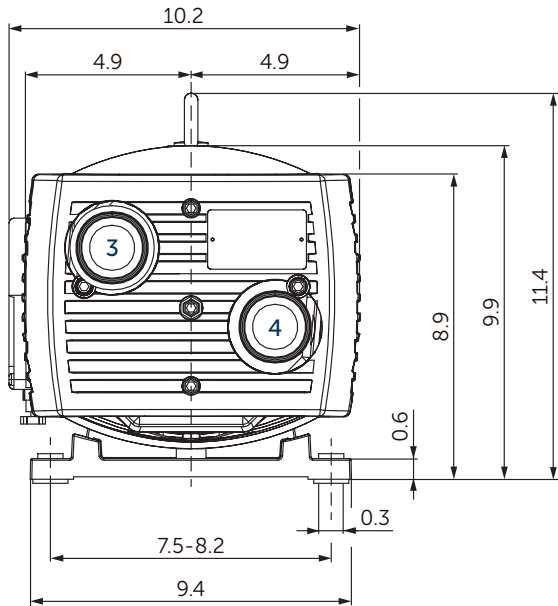
**T 4.25 DV**

# ROTARY VANE PRESSURE/VACUUM PUMPS

oil-free  
air-cooled

**MAKE IT BECKER.**





- 1 Vacuum connection (G<sup>3</sup>/<sub>4</sub>)
- 2 Pressure connection (G<sup>3</sup>/<sub>4</sub>)
- 3 Vacuum regulating valve
- 4 Pressure regulating valve
- Including integrated suction air filter
- The illustration of the terminal box may vary.
- Dimensions in inch

Air rate		Pressure/vacuum		Installed motor power		Emission sound pressure level <sup>1)</sup>		Weight with motor
CFM		PSIG	in. HgV	hp		dB(A)		lbs
50 Hz	60 Hz	50 & 60 Hz	50 & 60 Hz	50 Hz	60 Hz	50 Hz	60 Hz	
14.7	17.6	7.25	15	1.0-1.1	1.2-1.3	69	69	≈57.3-63.9

<sup>1)</sup> According to DIN EN ISO 3744 (KpA = 3 dB(A)), 39.4 inch distance, at medium load, both connection sides piped  
 ▪ The motor specifications can be found in the separate data sheet. – Download see back cover. The overall device length is not affected.

Air rates • power consumptions • temperatures								
Pressure			Vacuum					
			0 in. HgV	50 Hz		60 Hz		15 in. HgV
			0 in. HgV	7.5 in. HgV	15 in. HgV	0 in. HgV	7.5 in. HgV	15 in. HgV
3.63 PSIG	Suction air rate	CFM	13.9	9.7	5.4	16.6	11.8	6.7
	Blast air rate	CFM	13.9	9.7	5.4	16.6	11.8	6.7
	Power consumption	hp	0.8	0.8	0.9	0.9	0.9	0.9
	Temperature compressed air	°F	136.4	150.8	168.8	143.6	158.0	177.8
7.25 PSIG	Suction air rate	CFM	13.0	8.8	4.6	15.8	10.8	6.0
	Blast air rate	CFM	13.0	8.8	4.6	15.8	10.8	6.0
	Power consumption	hp	0.9	1.0	1.0	1.0	1.1	1.2
	Temperature compressed air	°F	149.0	168.8	185.0	158.0	177.8	195.8

Reference data (atmosphere): 0 PSIG (in. HgV), 68°F  
Tolerance: ±5%

## + VARIANTS AND ACCESSORIES

- **T 4.25 DSK** with compressed air cooler, maximum 8.7 PSIG (18 in.HgV)<sup>1)</sup>
- With external suction filter<sup>1)</sup>
- Sound proof box SH 19<sup>1)</sup>



Example for an external suction filter



Sound proof box SH 19

<sup>1)</sup> See separate data sheet

- Possible combinations on request



**MAKE IT BECKER.**

HOMEPAGE  
T SERIES



DOWNLOAD  
MOTOR SPECS.



ONLINE SHOP  
T 4.25 DV



[www.beckerpumps.com](http://www.beckerpumps.com)  
[www.becker-international.com](http://www.becker-international.com)

