



### Clear Polycarbonate Filters

These Clear Polycarbonate Filters offer easy visual inspection of the filter element. At a glance, your maintenance staff can quickly see if the element is dirty or clogged. Why should you have these filters in your plant?

#### Clear Filters are Installed "In Line"

- No more piping issues with horizontal configuration.
- Easy to install into existing vacuum lines.
- When your vacuum process is turned off, no filtered particulates can fall into the pump.



#### Visual Inspection

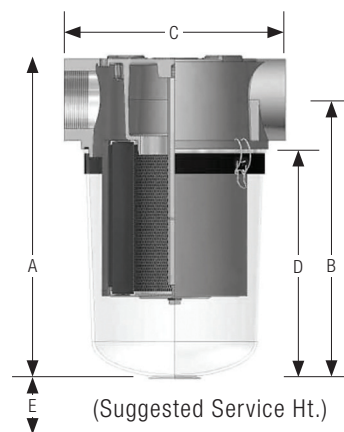
- Significantly reduces the risk of a clogged element which can cause overheating, pump failure, and loss of production.
- No more interrupting your vacuum process to check the filter elements.
- Less maintenance time required for routine inspections.

**All These Benefits Make This Filter the Clear Choice for Keeping Your Vacuum Pumps Clean and Trouble Free**

### Clear Polycarbonate Filter Specifications

Model Number	Clear Filter	Inlet & Outlet	Dimensions					Rated Flow (CFM)	Rated Flow Element (CFM)	Est. Weight (lbs.)
			A	B	C	D	E			
74234P400C0	4"	4	19.75	17	13.5	14	9	520	570	30
74234P300C0	3"	3	19.75	17	13.5	14	9	300	570	30
74850P250C0	2.5"	2.5	16.25	14.25	9	12.5	9	210	290	13
74850P200C0	2"	2	16.25	14.25	9	12.5	9	175	290	14
74896P150C0	1.5"	1.5	13.38	11.93	7	10.38	9	80	115	10
74896P125C0	1.25"	1.25	13.38	11.93	7	10.38	9	60	115	11
74896P100C0	1"	1	13.38	11.93	7	10.38	9	40	115	11

*\*Paper media is standard. Polyester media available for wet applications. All dimensions are in inches.*



**Contact our staff today. We're ready to help. Call 888-633-1083 or email: [info@beckerpumps.com](mailto:info@beckerpumps.com).**



**Nationwide Sales and Service: USA, Canada, and Mexico 888-633-1083**

**Becker Pumps Corp.** • 100 East Ascot Lane • Cuyahoga Falls, Ohio 44223  
Tel 330-928-9966 • Fax 330-928-7065 • [info@beckerpumps.com](mailto:info@beckerpumps.com) • [www.beckerpumps.com](http://www.beckerpumps.com)